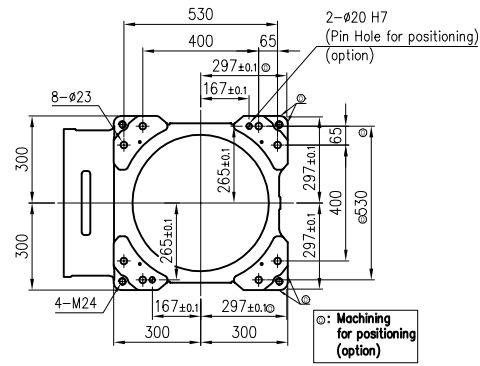
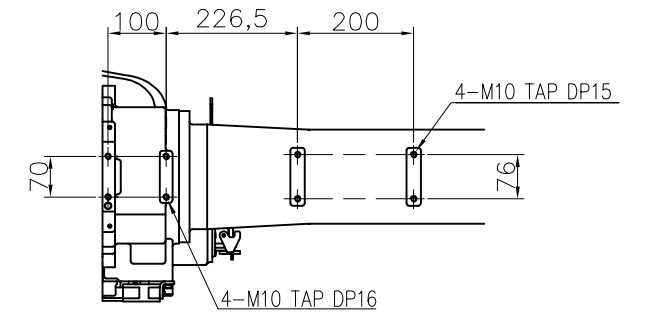


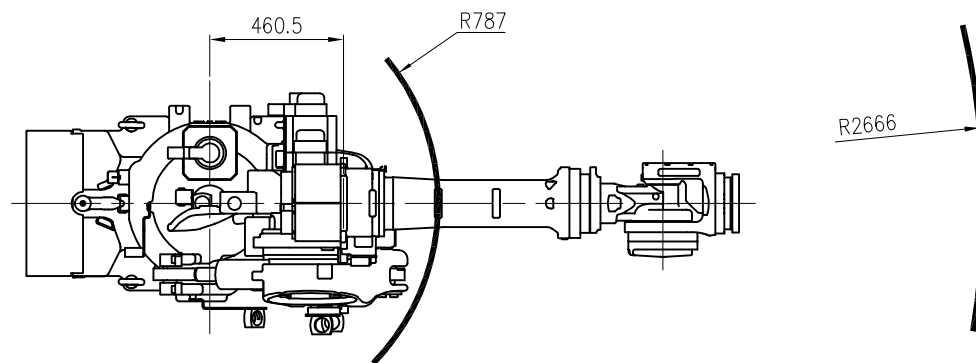
VIEW "A"  
(SCALE : 2/1)



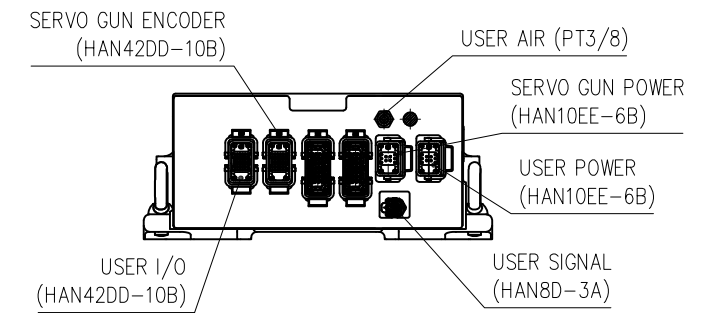
VIEW "B"  
(SCALE : 1/1)



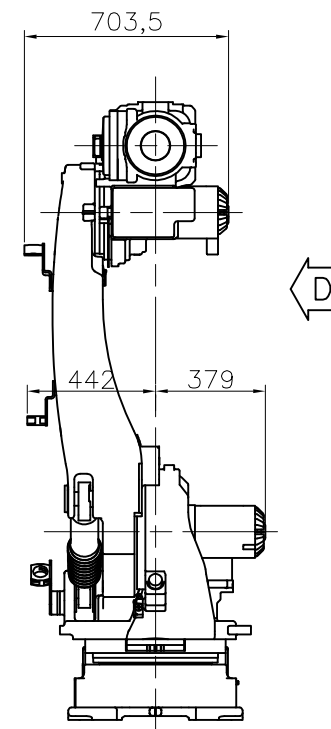
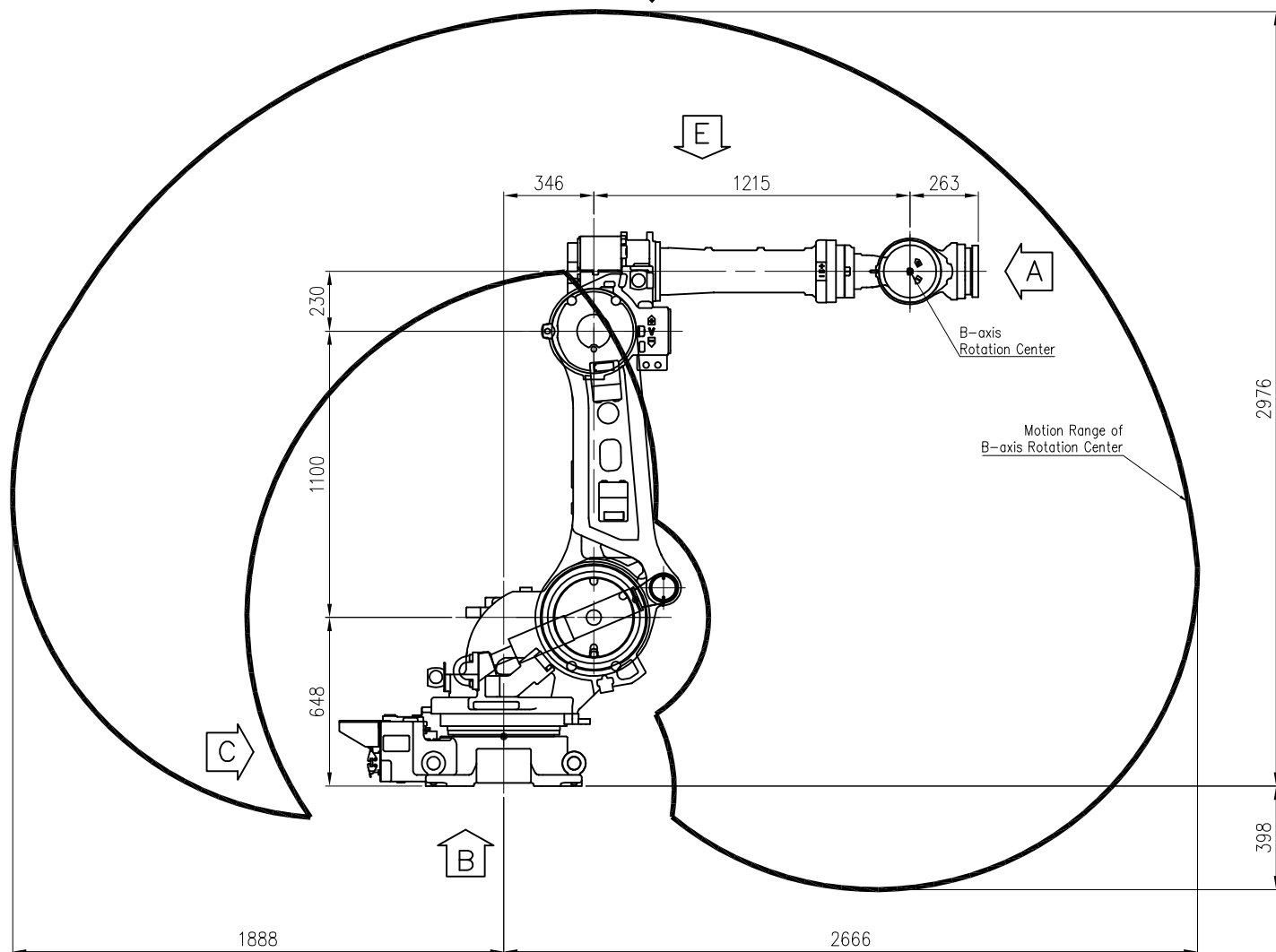
VIEW "E"  
(SCALE : 2/1)



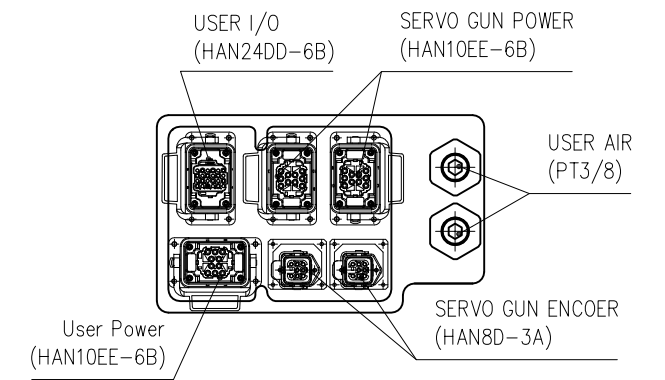
VIEW "C"  
(SCALE : 2/1)



VIEW "D"  
(SCALE : 2/1)



VIEW "D"



TECHNICAL SPECIFICATION SUBJECT TO  
CHANGE WITHOUT NOTICE

MODEL	HS260	issue.0
DATE	2018.06.19	

