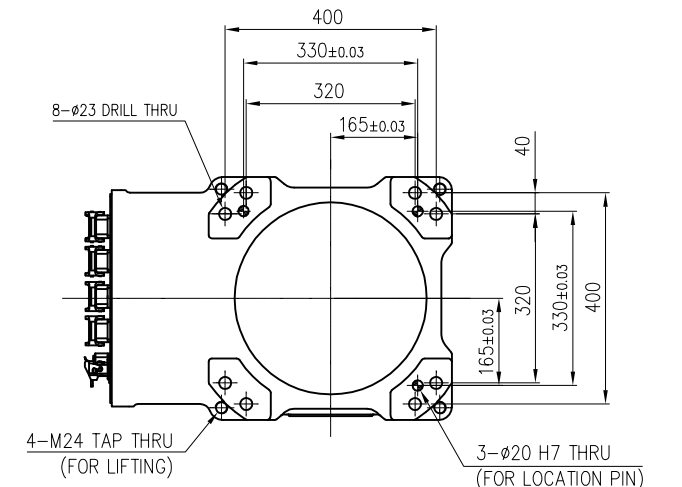
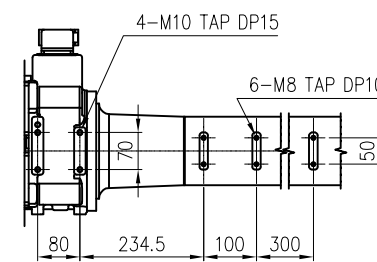


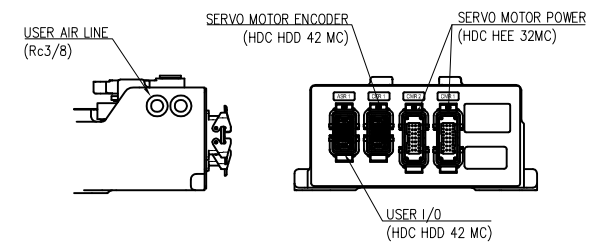
VIEW "A"
(SCALE 4/1)



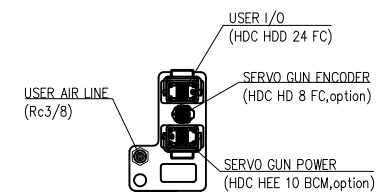
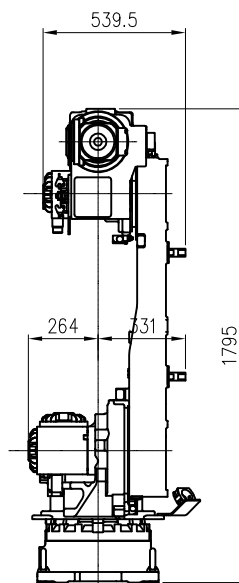
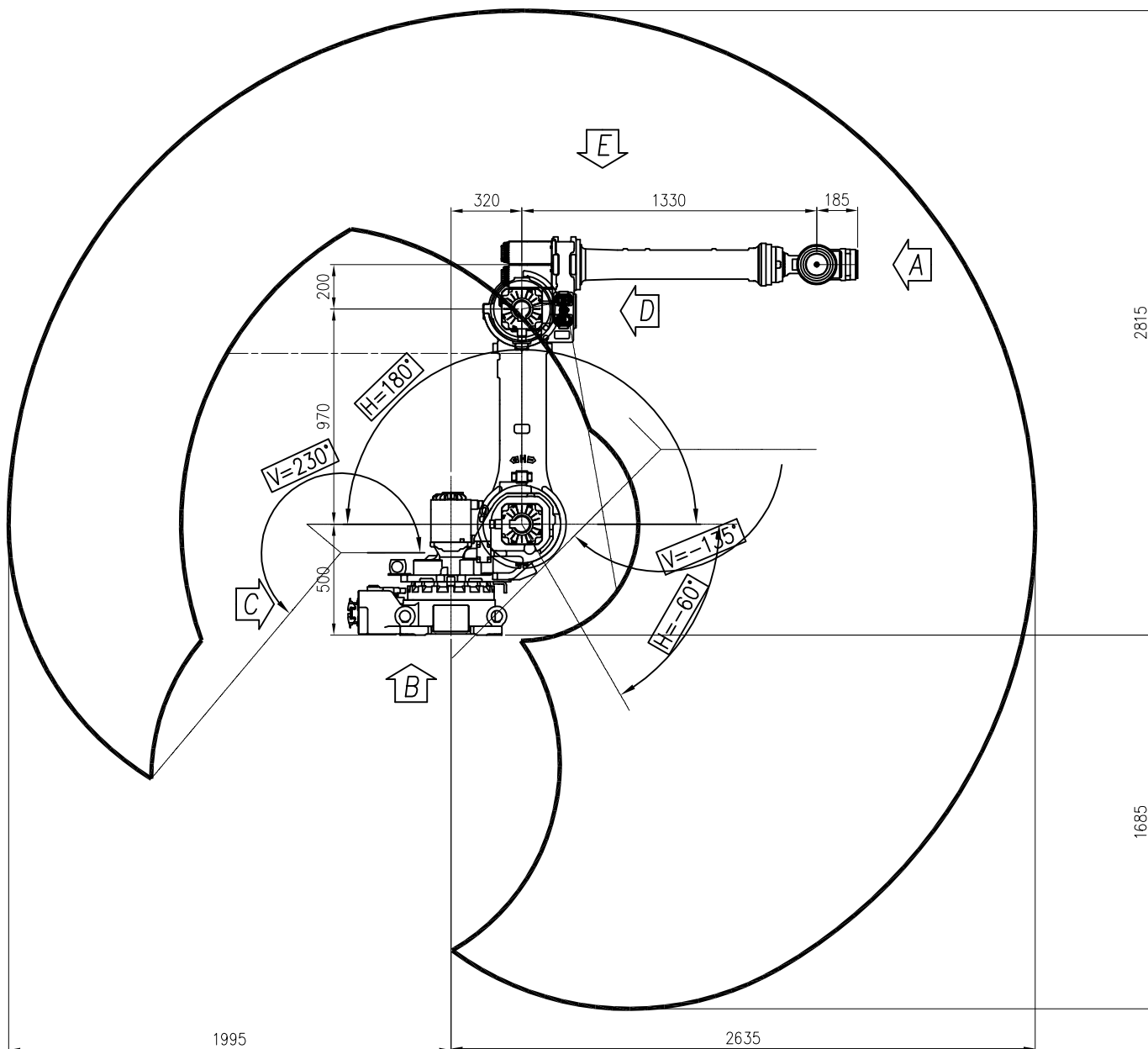
VIEW "B"
(SCALE 2/1)



VIEW "E"
(SCALE 2/1)



VIEW "C"
(SCALE 2/1)



VIEW "D"
(SCALE 2/1)

MODEL	YS080L	issue.0
DATE	2018.06.19	

TECHNICAL SPECIFICATION SUBJECT TO CHANGE WITHOUT NOTICE

