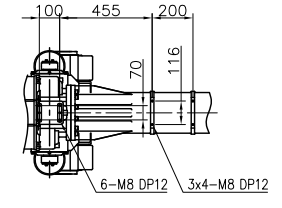
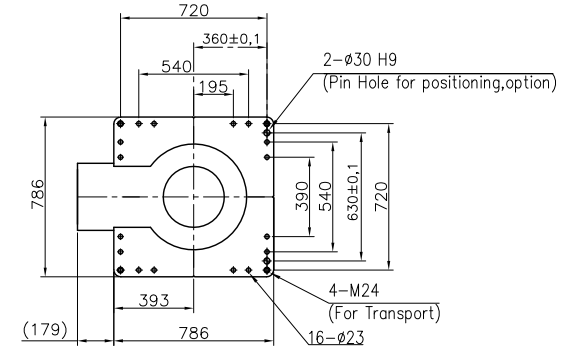


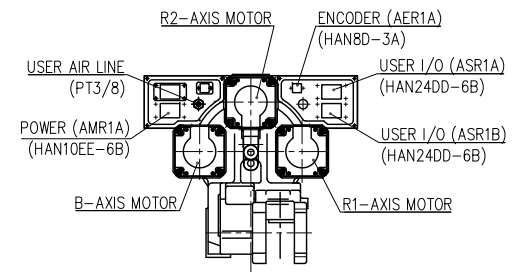
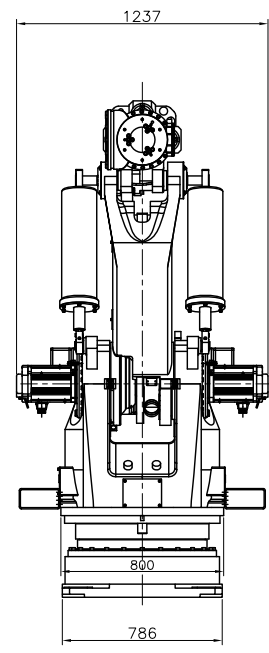
VIEW "A"
(SCALE : 2/1)



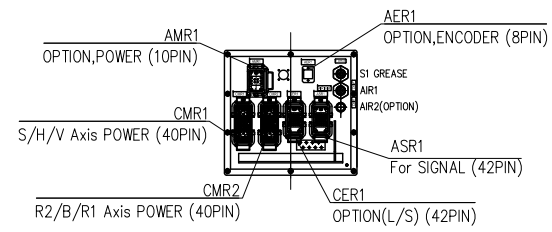
VIEW "E"
(SCALE : 1/1)



VIEW "B"
(SCALE : 1/1)



VIEW "D"
(SCALE : 2/1)



VIEW "C" <For Hi5a Controller>
(SCALE : 2/1)

BASIC SPECIFICATION OF HX400S. PLEASE REFER TO THE CATALOGUE.

Maximum Operating Range	Arm	S (Swivel)	±180°
		H (Horizontal)	+95° ~ -50°
		V (Vertical)	+30° ~ -115°
		H/V Interference	±60°

MODEL	HX400S	issue.1
DATE	2015.02.04	

HYUNDAI HEAVY INDUSTRIES CO.,LTD.
ENGINE & MACHINERY DIVISION

TECHNICAL SPECIFICATION SUBJECT TO CHANGE WITHOUT NOTICE