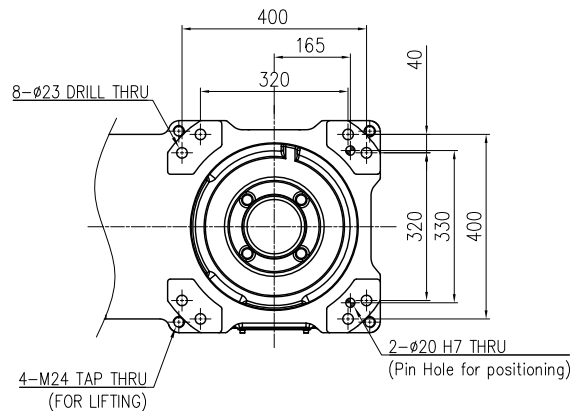
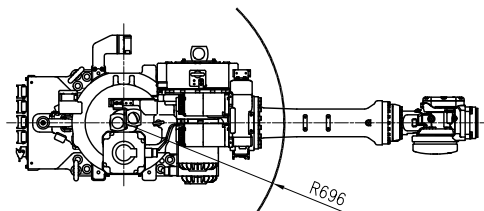
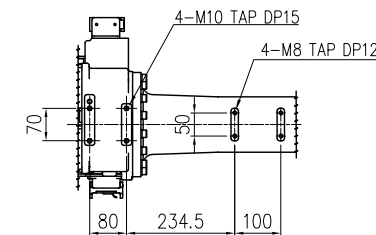


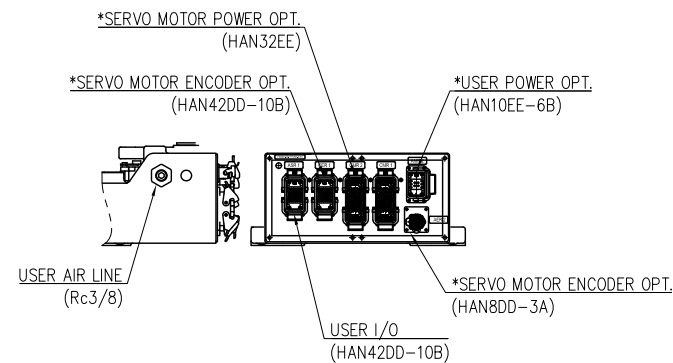
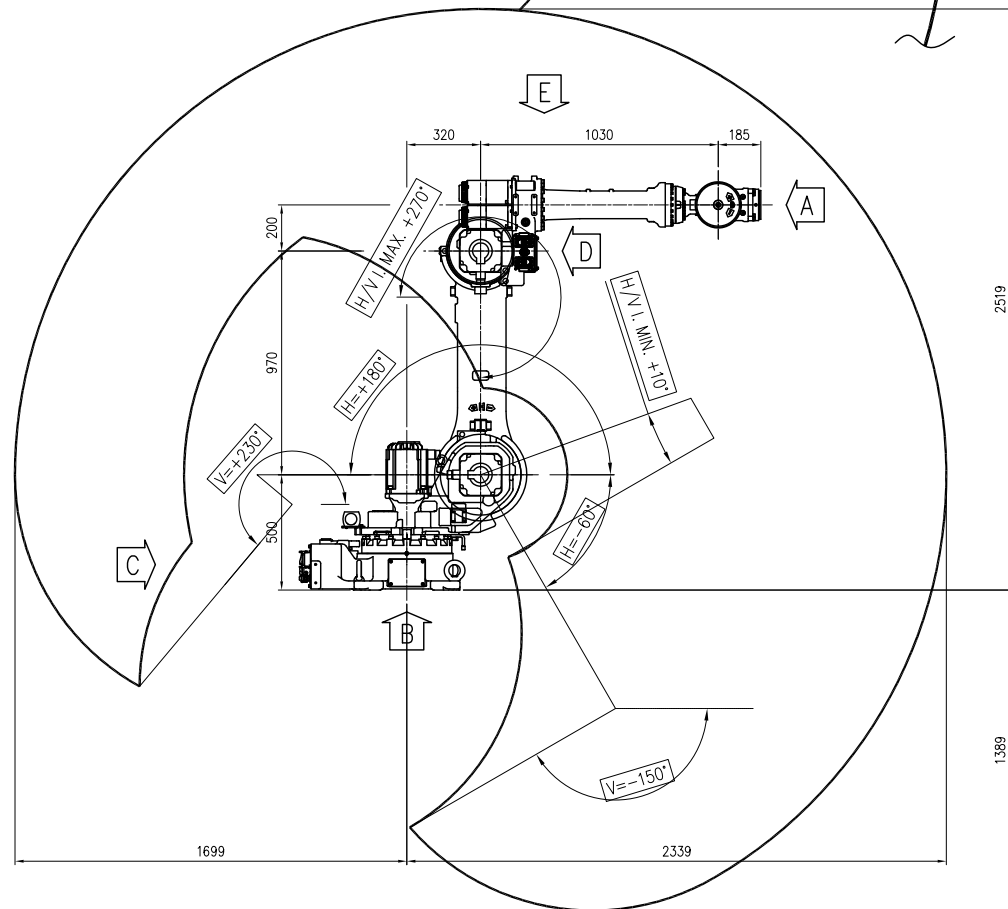
VIEW "A"
(SCALE : 4/1)



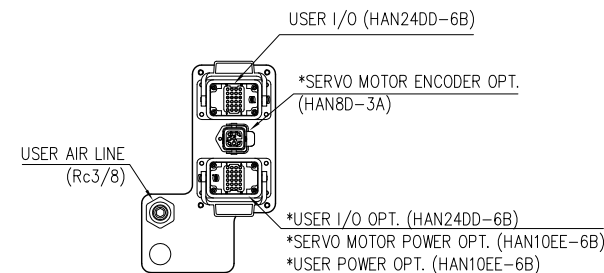
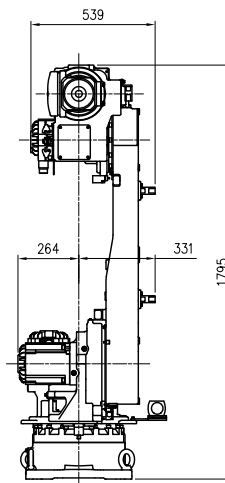
VIEW "B"
(SCALE : 2/1)



VIEW "E"
(SCALE : 2/1)



VIEW "C"
(SCALE : 2/1)



VIEW "D"
(SCALE : 4/1)

MODEL	YS140	issue.1
DATE	2015.07.16	
HYUNDAI HEAVY INDUSTRIES CO.,LTD. ENGINE & MACHINERY DIVISION		

TECHNICAL SPECIFICATION SUBJECT TO CHANGE WITHOUT NOTICE